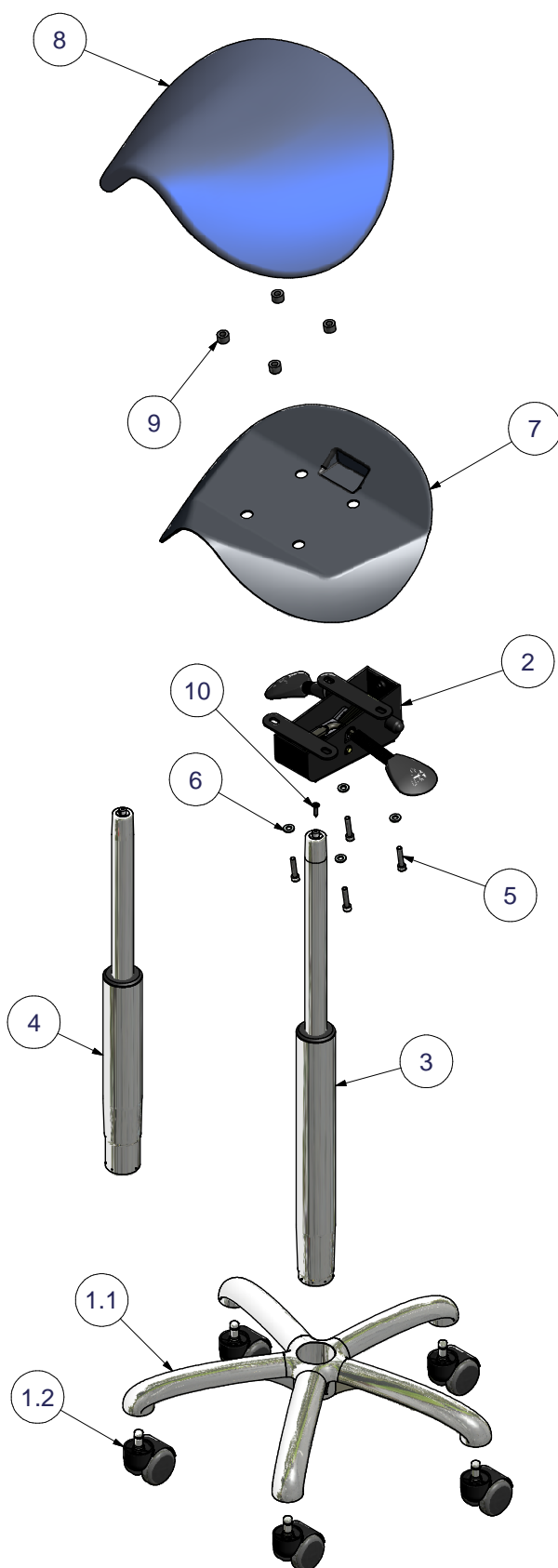




## VELA Samba 400



Mark.	Stk.	Genstand	Materiale	Vare nr.
1	1	Stel m/hjul Alu fod typr 1, Blank alu, N/		020129906
1.1	1	Alu fod type 1N blank	ScanCastor AB-500-FC	030129999
1.2	5	Hjul Dobb. 2, bløde m/ 11x20, 50 mm sort		012202
2	1	Bæreprade 41.2 mont. m/ betj.greb (Midi u/ ryg) V		18411149999930
3	1	Gasfjeder Chrom yderrør, 300 N, 260 mm		091030260
4	1	Gasfjeder Chrom yderrør, 300 N, 200 mm		091030200
5	4	Skruer 6-kt CH M6 x 30 mm	DIN 912 - M6 x 30	8001206030
6	4	Skive	DIN 125 - A 7	8802207
7	1	Plast afdækning for saddelsæde	Plast sort	925035
8	1	Saddel sæde Phoenix mørk grå		06164520675
9	4	Afstandskive plast 15X8X10	Plast sort	925072
10	1	Træskruer UH 4,5 x 16 mm		8008245016

Pos.	Pcs.	Description	Material	Stock no
1	1	Frame with wheels		020129906
1.1	1	Frame with out wheels	ScanCastor AB-500-FC	030129999
1.2	5	Wheel soft 50 mm black	ScanCastor	012202
2	1	Seat support fitted w/handles	Mey	18411149999930
3	1	Gasspring 300 N 260 mm	Stabilus	091030260
4	1	Gasspring 300 N, 200 mm	Stabilus	091030200
5	4	Cylinder Head Cap Screw M6 x 30 mm	DIN 912 - M6 x 30	8001206030
6	4	Washer	DIN 125 - A 7	8802207
7	1	Plastic cover f/saddle seat	Plast sort	925035
8	1	Saddle seat Phoenix dark gray		06164520675
9	4	Spacer Ø15xØ8x10 mm	Plast sort	925072
10	1	Wooden screw 4,5 x 16 mm		8008245016

Pos.	Pcs.	Beschreibung	Material	Stock no
1	1	Untergestell mit Rollen		020129906
1.1	1	Untergestell ohne Rollen	ScanCastor AB-500-FC	030129999
1.2	5	Rollen weich 50 mm Schwarz	ScanCastor	012202
2	1	Trageplatte m/auslöserhebeln	Mey	18411149999930
3	1	Gasfeder 300N 260 mm	Stabilus	091030260
4	1	Gasfeder 300 N, 200 mm	Stabilus	091030200
5	4	Zylinderschrauben m/Innen 6-kant M6x30 mm	DIN 912 - M6 x 30	8001206030
6	4	Scheibe	DIN 125 - A 7	8802207
7	1	Plastik abdeckung f/Sattlesitz	Plast sort	925035
8	1	Sattelsitz Phoenix dunkelgrau		06164520675
9	4	Distanzscheibe Ø15xØ8x10 mm	Plast sort	925072
10	1	Holzschrauben 4,5 x 16 mm		8008245016